

Metal Halide

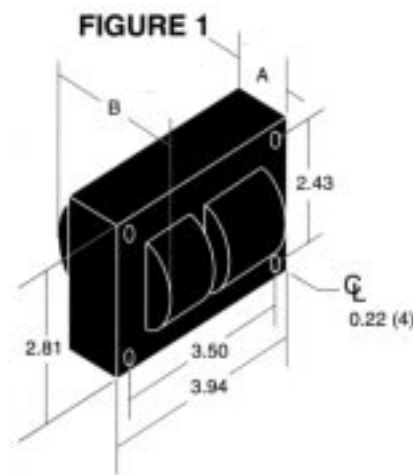
HID BALLAST

STANDARD BALLAST SPECIFICATIONS

400 WATT, M-59 OR H-33

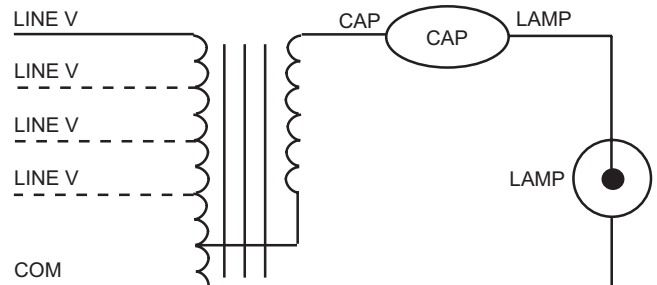
Input Voltage	120	208	240	277	480	120/277	120/208/240/277	
Catalog Number	M0400-02C-211	M0400-04C-211	M0400-07C-211	M0400-08C-211	M0400-11C-211	M0400-23C-211	M0400-71C-211	
Circuit Type	CWA	CWA	CWA	CWA	CWA	CWA	CWA	
Input Power (Watts)	453	457	456	457	462	453/457	453/457/456/457	
LINE CURRENT LAMP POWER	Nominal Lamp Watts	400	400	400	400	400	400	
	Nominal Ballast Factor	100%	100%	100%	100%	100%	100%	
LINE CURRENT	Operating Current (Amps)	4.10	2.40	2.04	1.75	1.00	4.10/1.75	
	Open Circuit Current (Amps)	2.70	1.60	1.35	1.15	0.70	2.70/1.15	
Nominal Open Circuit Voltage	300	300	300	300	300	300	300	
A (Inches)	2.00	2.00	2.00	2.00	2.00	2.00	2.00	
B (Inches)	3.93	3.93	3.93	3.93	4.23	3.93	3.93	
CAPACITOR	μF	24	24	24	24	24	24	
		Minimum Volts	400	400	400	400	400	400
	DRY	Diameter(Inches)	1.8	1.8	1.8	1.8	1.8	1.8
		Height (Inches)	5.2	5.2	5.2	5.2	4.2	5.2
	OIL	Oval (Inches)	1.75	1.75	1.75	1.75	1.75	1.75
		Height (Inches)	3.87	3.87	3.87	3.87	3.87	3.87
U.L. Bench Top Rise Code	B	C	C	D	D	B/D	B/C/C/D	

BALLAST DIMENSIONS



WIRING DIAGRAM

Diagram #A



HOWARD INDUSTRIES, INC.

HI

BALLAST PRODUCTS DIVISION
 P.O. Box 1590
 Laurel, MS 39441
 (601) 422-0033 or
 1-800-956-3456
 Fax (601) 422-1652
<http://www.howard-ballast.com>



UL Recognized and
CSA Certified

Add “-K” suffix to model number to order standard distributor replacement kit. Kits include core and coil ballast, capacitor, starter (when required), mounting brackets and hardware, and installation instruction sheet.