

Metal Halide

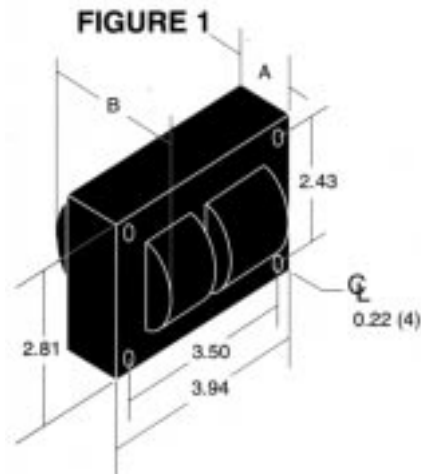
# HID BALLAST

STANDARD BALLAST SPECIFICATIONS

## 250 WATT, M-58 or H-37

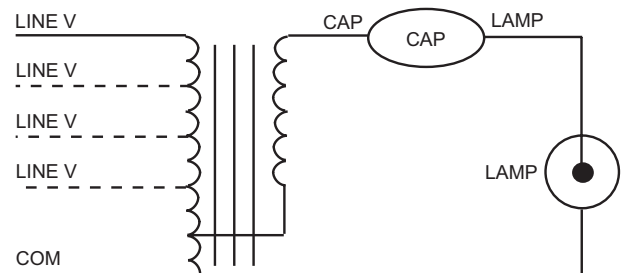
Input Voltage		120	208	240	277	120/277	120/208/240/277	
Catalog Number		<b>M0250-02C-211</b>	<b>M0250-04C-211</b>	<b>M0250-07C-211</b>	<b>M0250-08C-211</b>	<b>M0250-23C-211</b>	<b>M0250-71C-211</b>	
Circuit Type		CWA	CWA	CWA	CWA	CWA	CWA	
Input Power (Watts)		288	288	288	288	288/288	288/288/288/288	
LAMP POWER	Nominal Lamp Watts	250	250	250	250	250	250	
	Nominal Ballast Factor	100%	100%	100%	100%	100%	100%	
LINE CURRENT	Operating Current (Amps)	2.65	1.51	1.33	1.15	2.65/1.15	2.65/1.51/1.33/1.15	
	Open Circuit Current (Amps)	1.57	0.89	0.79	0.68	1.57/0.68	1.57/0.89/0.79/0.68	
Nominal Open Circuit Voltage		310	310	310	310	310	310	
A (Inches)		1.70	1.70	1.70	1.70	1.70	1.70	
B (Inches)		3.63	3.63	3.63	3.63	3.63	3.63	
CAPACITOR	μF	15	15	15	15	15	15	
		Minimum Volts	400	400	400	400	400	400
	DRY	Diameter(Inches)	1.8	1.8	1.8	1.8	1.8	1.8
		Height (Inches)	3.8	3.8	3.8	3.8	3.8	3.8
	OIL	Oval(Inches)	1.75	1.75	1.75	1.75	1.75	1.75
		Height (Inches)	2.90	2.90	2.90	2.90	2.90	2.90
U.L. Bench Top Rise Code		A	A	A	B	A/B	A/A/A/B	

## BALLAST DIMENSIONS



## WIRING DIAGRAM

Diagram #A



Add “-K” suffix to model number to order standard distributor replacement kit. Kits include core and coil ballast, capacitor, starter (when required), mounting brackets and hardware, and installation instruction sheet.

**HOWARD INDUSTRIES, INC.**



**BALLAST PRODUCTS DIVISION**

P.O. Box 1590  
 Laurel, MS 39441  
 (601) 422-0033 or  
 1-800-956-3456  
 Fax (601) 422-1652  
<http://www.howard-ballast.com>



UL Recognized and  
 CSA Certified