

Metal Halide

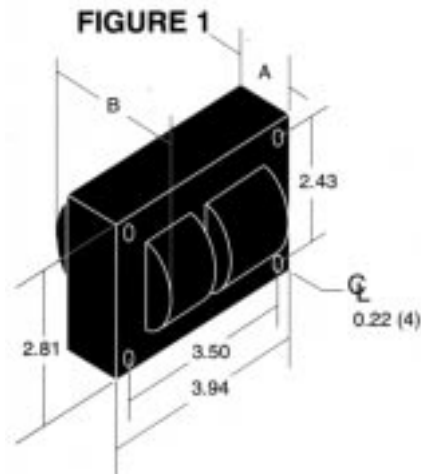
# HID BALLAST

STANDARD BALLAST SPECIFICATIONS

## 175 WATT, M-57 or H-39

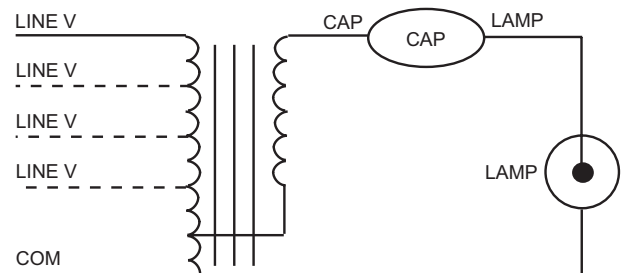
Input Voltage		120	208	240	277	120/277	120/208/240/277	
Catalog Number		<b>M0175-02C-211</b>	<b>M0175-04C-211</b>	<b>M0175-07C-211</b>	<b>M0175-08C-211</b>	<b>M0175-23C-211</b>	<b>M0175-71C-211</b>	
Circuit Type		CWA	CWA	CWA	CWA	CWA	CWA	
Input Power (Watts)		210	210	210	210	210/210	210/210/210/210	
LAMP POWER	Nominal Lamp Watts	175	175	175	175	175	175	
	Nominal Ballast Factor	100%	100%	100%	100%	100%	100%	
LINE CURRENT	Operating Current (Amps)	1.83	1.10	0.91	0.81	1.83/0.81	1.83/1.10/0.91/0.81	
	Open Circuit Current (Amps)	2.0	1.34	1.00	0.92	2.0/0.92	2.0/1.34/1.00/0.92	
Nominal Open Circuit Voltage		300	300	300	300	300	300	
A (Inches)		2.42	2.42	2.42	2.42	2.42	2.42	
B (Inches)		3.94	3.94	3.94	3.94	3.94	3.94	
CAPACITOR	μF	10	10	10	10	10	10	
		Minimum Volts	400	400	400	400	400	400
	DRY	Diameter(Inches)	1.6	1.6	1.6	1.6	1.6	1.6
		Height (Inches)	3.6	3.6	3.6	3.6	3.6	3.6
	OIL	Oval(Inches)	1.75	1.75	1.75	1.75	1.75	1.75
		Height (Inches)	2.87	2.87	2.87	2.87	2.87	2.87
U.L. Bench Top Rise Code		A	A	A	A	A/A	A/A/A/A	

## BALLAST DIMENSIONS



## WIRING DIAGRAM

Diagram #A



Add "-K" suffix to model number to order standard distributor replacement kit. Kits include core and coil ballast, capacitor, starter (when required), mounting brackets and hardware, and installation instruction sheet.

**HOWARD INDUSTRIES, INC.**



**BALLAST PRODUCTS DIVISION**

P.O. Box 1590  
 Laurel, MS 39441  
 (601) 422-0033 or  
 1-800-956-3456  
 Fax (601) 422-1652  
<http://www.howard-ballast.com>



UL Recognized and  
 CSA Certified