

Metal Halide

HID BALLAST

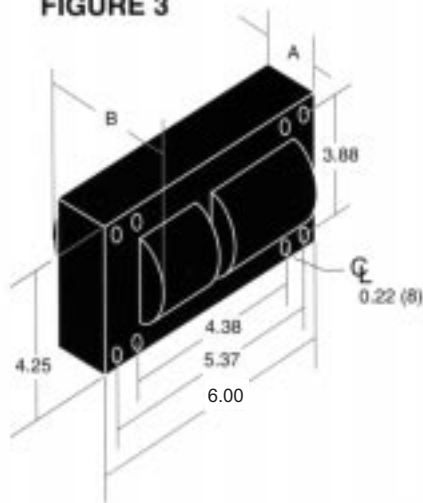
STANDARD BALLAST SPECIFICATIONS

1500 WATT, M-48

Input Voltage	120	208	240	277	480	120/208/240/277
Catalog Number	M1500-02C-212	M1500-04C-212	M1500-07C-212	M1500-08C-212	M1500-11C-212	M1500-71C-212
Circuit Type	CWA	CWA	CWA	CWA	CWA	CWA
Input Power (Watts)	1603	1603	1603	1603	1603	1603
LAMP POWER	Nominal Lamp Watts	1500	1500	1500	1500	1500
	Nominal Ballast Factor	1.00	1.00	1.00	1.00	1.00
Operating Current (Amps)	14.03	8.03	7.05	6.10	3.54	14.03/8.03/7.05/6.10
Open Circuit Current (Amps)	5.86	3.23	2.94	2.52	1.44	5.86/3.23/2.94/2.52
Nominal Open Circuit Voltage	462	462	462	462	462	462
A (Inches)	4.0	4.0	4.0	4.0	4.0	4.0
B (Inches)	6.13	6.13	6.13	6.13	6.13	6.13
OIL CAPACITOR	μF	32	32	32	32	32
	Oval (Inches)	1.75	1.75	1.75	1.75	1.75
	Height (Inches)	5.3	5.3	5.3	5.3	5.3
U.L. Bench Top Rise Code	D	C	C	D	E	D/C/C/B

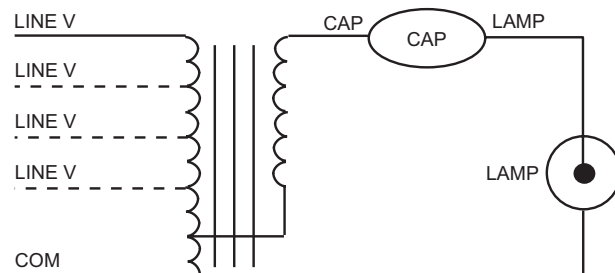
BALLAST DIMENSIONS

FIGURE 3



WIRING DIAGRAM

Diagram #A



Add “-K” suffix to model number to order standard distributor replacement kit. Kits include core and coil ballast, capacitor, starter (when required), mounting brackets and hardware, and installation instruction sheet.

HOWARD INDUSTRIES, INC.



BALLAST PRODUCTS DIVISION

P.O. Box 1590
 Laurel, MS 39441
 (601) 422-0033 or
 1-800-956-3456
 Fax (601) 422-1652
<http://www.howard-ballast.com>



UL Recognized and CSA Certified