

Metal Halide

HID BALLAST

STANDARD BALLAST SPECIFICATIONS

1000 WATT, M-47 or H-36

Input Voltage	120	208	240	277	480	120/208/240/277	
Catalog Number	M1000-02C-212	M1000-04C-212	M1000-07C-212	M1000-08C-212	M1000-11C-212	M1000-71C-212	
Circuit Type	CWA	CWA	CWA	CWA	CWA	CWA	
Input Power (Watts)	1080	1073	1073	1074	1078	1080/1073/1073/1074	
LAMP POWER	Nominal Lamp Watts	1000	1000	1000	1000	1000	
	Nominal Ballast Factor	100%	100%	100%	100%	100%	
LINE CURRENT	Operating Current (Amps)	9.00	5.00	4.55	3.95	2.28	9.00/5.00/4.55/3.95
	Open Circuit Current (Amps)	4.00	2.00	2.06	1.78	1.03	4.00/2.00/2.06/1.78
Nominal Open Circuit Voltage	425	425	425	425	425	425	
A (Inches)	2.80	2.80	2.80	2.80	2.80	2.80	
B (Inches)	4.93	4.93	4.93	4.93	4.93	4.93	
OIL CAPACITOR	μF	24	24	24	24	24	
	Minimum Volts	480	480	480	480	480	
	Oval (Inches)	1.75	1.75	1.75	1.75	1.75	
	Height (Inches)	3.88	3.88	3.88	3.88	3.88	
U.L. Bench Top Rise Code	A	A	A	A	C	A/A/A/A	

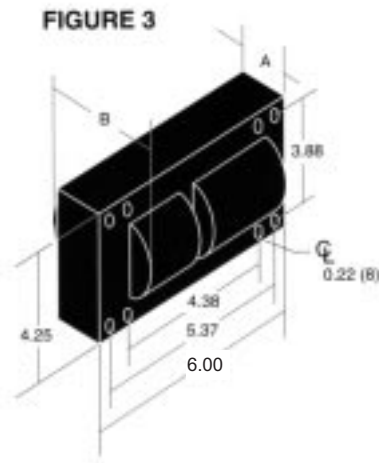
HOWARD INDUSTRIES, INC.



BALLAST PRODUCTS DIVISION

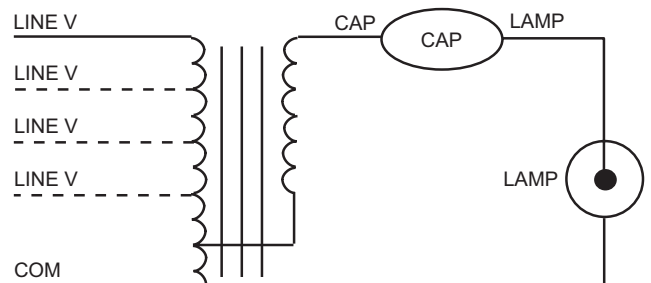
P.O. Box 1590
 Laurel, MS 39441
 (601) 422-0033 or
 1-800-956-3456
 Fax (601) 422-1652
<http://www.howard-ballast.com>

BALLAST DIMENSIONS



WIRING DIAGRAM

Diagram #A



Add "-K" suffix to model number to order standard distributor replacement kit. Kits include core and coil ballast, capacitor, starter (when required), mounting brackets and hardware, and installation instruction sheet.



UL Recognized and
 CSA Certified