

Metal Halide Pulse Start Regulated Lag

HID BALLAST

STANDARD BALLAST SPECIFICATIONS

400 WATT, M-128, M-135, M-59

Input Voltage	120	277	347	480	208/240
Catalog Number	M0400-02C-411	M0400-27C-411	M0400-28C-411	M0400-29C-411	M0400-62C-411
Circuit Type	REG-LAG	REG-LAG	REG-LAG	REG-LAG	REG-LAG
Input Power (Watts)	450	450	450	450	450/450
MAX Input Current	3.76	1.61	1.30	0.94	2.18/1.88
Nominal Open Circuit Voltage	275	275	275	275	275
Nominal Lamp Watts	400	400	400	400	400
Nominal Ballast Factor	100%	100%	100%	100%	100%
Wiring Diagram	E	E	E	E	E
DIMENSIONS	Figure	4	4	4	4
	A (Inches)	3.50	3.50	3.50	3.50
	B (Inches)	5.50	5.50	5.50	5.50
OIL CAPACITOR	MFD	21	21	21	21
	Minimum Volt	480	480	480	480
	Oval (Inches)	1.75	1.75	1.75	1.75
	Height (Inches)	4.87	4.87	4.87	4.87
STARTER	Model Number	ST1001	ST1001	ST1001	ST1001
	Max Distance to Lamp (Feet)	20	20	20	20
U.L. Bench Top Rise Code 1029		A	A	A	A/A

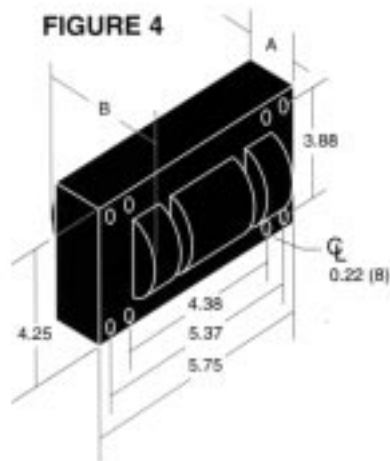
**HOWARD
INDUSTRIES, INC.**



BALLAST PRODUCTS DIVISION

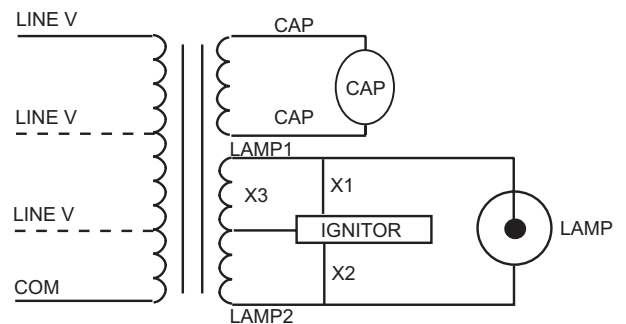
P.O. Box 1590
Laurel, MS 39441
(601) 422-0033 or
1-800-956-3456
Fax (601) 422-1652
<http://www.howard-ballast.com>

BALLAST DIMENSIONS



WIRING DIAGRAM

Diagram #E



Add "-K" suffix to model number to order standard distributor replacement kit. Kits include core and coil ballast, capacitor, starter (when required), mounting brackets and hardware, and installation instruction sheet.



UL Recognized and
CSA Certified