

Metal Halide Pulse Start Regulated Lag

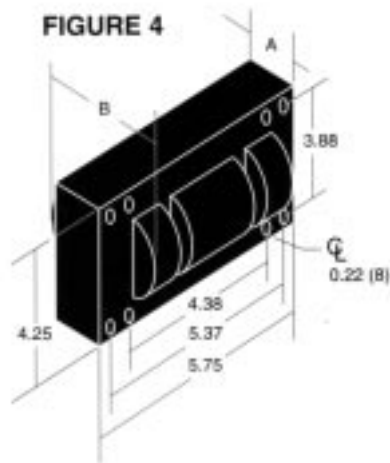
HID BALLAST

STANDARD BALLAST SPECIFICATIONS

250 WATT, M-138

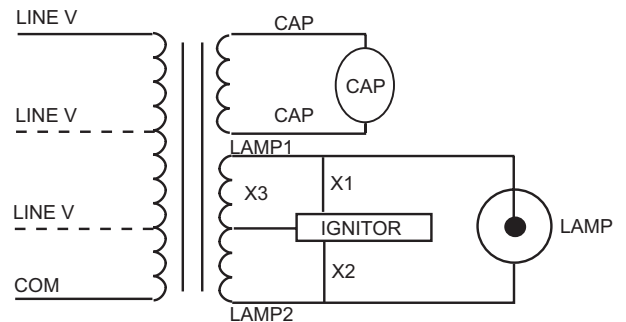
Input Voltage	120	277	480
Catalog Number	M0250-02C-411	M0250-27C-411	M0250-29C-411
Circuit Type	REG-LAG	REG-LAG	REG-LAG
Input Power (Watts)	287	287	287
MAX Input Current	2.49	1.06	0.62
Nominal Open Circuit Voltage	275	275	275
Nominal Lamp Watts	250	250	250
Nominal Ballast Factor	100%	100%	100%
Wiring Diagram	E	E	E
DIMENSIONS	Figure	4	4
	A (Inches)	2.25	2.25
	B (Inches)	4.25	4.25
OIL CAPACITOR	MFD	15	15
	Minimum Volt	480	480
	Oval (Inches)	1.75	1.75
	Height (Inches)	4.87	4.87
STARTER	Model Number	ST1001	ST1001
	Max Distance to Lamp (Feet)	20	20
U.L. Bench Top Rise Code 1029		A	A

BALLAST DIMENSIONS



WIRING DIAGRAM

Diagram #E



Add “-K” suffix to model number to order standard distributor replacement kit. Kits include core and coil ballast, capacitor, starter (when required), mounting brackets and hardware, and installation instruction sheet.



UL Recognized and
CSA Certified

HOWARD
INDUSTRIES, INC.



BALLAST
PRODUCTS
DIVISION

P.O. Box 1590
Laurel, MS 39441
(601) 422-0033 or
1-800-956-3456
Fax (601) 422-1652
[http://www.
howard-ballast.com](http://www.howard-ballast.com)