

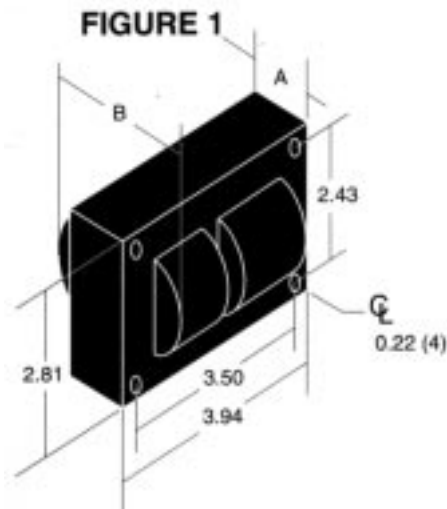
High Pressure Sodium HID BALLAST

STANDARD BALLAST SPECIFICATIONS

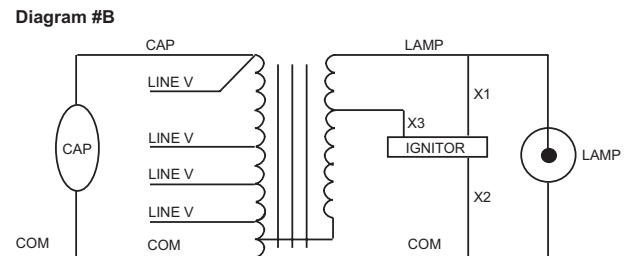
70 WATT, S-62

Input Voltage		120	208	240	277	120/208/240/277	
Catalog Number		S0070-02C-511	S0070-04C-511	S0070-07C-511	S0070-08C-511	S0070-71C-511	
Circuit Type		HX-HPF	HX-HPF	HX-HPF	HX-HPF	HX-HPF	
Input Power (Watts)		86	89	86	91	86/89/86/91	
LAMP POWER	Nominal Lamp Watts	70	70	70	70	70	
	Nominal Ballast Factor	100%	100%	100%	100%	100%	
LINE CURRENT	Operating Current (Amps)	0.73	0.44	0.37	0.35	0.73/0.44/0.37/0.35	
	Open Circuit Current (Amps)	1.71	1.00	0.86	0.75	1.71/1.00/0.86/0.75	
Nominal Open Circuit Voltage		129	129	129	129	129	
Dimension A (Inches)		1.44	1.44	1.44	1.44	1.44	
Dimension B (Inches)		2.75	2.75	2.75	2.75	2.75	
CAPACITOR	MFD	7	7	7	7	7	
	Minimum Volts	280	280	280	280	280	
	DRY	Diameter (Inches)	1.25	1.25	1.25	1.25	1.25
		Height (Inches)	3.23	3.23	3.23	3.23	3.23
	OIL	Oval (Inches)	1.25	1.25	1.25	1.25	1.25
		Height (Inches)	2.50	2.50	2.50	2.50	2.50
STARTER	Model Number	ST2001	ST2001	ST2001	ST2001	ST2001	
	Max Distance to Lamp (Feet)	20	20	20	20	20	
U.L. Bench Top Rise Code 1029		A	A	A	A	A/A/A/A	

BALLAST DIMENSIONS



WIRING DIAGRAM



Add "-K" suffix to model number to order standard distributor replacement kit. Kits include core and coil ballast, capacitor, starter (when required), mounting brackets and hardware, and installation instruction sheet.



UL Recognized and
CSA Certified

HOWARD
INDUSTRIES, INC.



BALLAST
PRODUCTS
DIVISION

P.O. Box 1590
Laurel, MS 39441
(601) 422-0033 or
1-800-956-3456
Fax (601) 422-1652
<http://www.howard-ballast.com>