

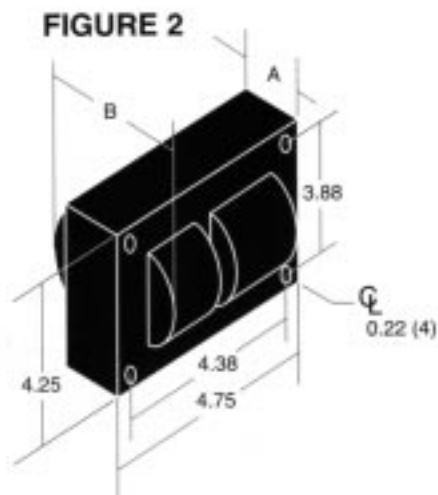
High Pressure Sodium HID BALLAST

STANDARD BALLAST SPECIFICATIONS

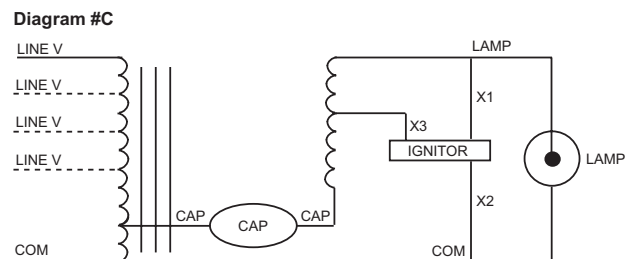
400 WATT, S-51

Input Voltage		120	208	240	277	480	120/277/347	120/208/240/277	
Catalog Number		S0400-02C-211	S0400-04C-211	S0400-07C-211	S0400-08C-211	S0400-11C-211	S0400-59C-211	S0400-71C-211	
Circuit Type		CWA	CWA	CWA	CWA	CWA	CWA	CWA	
Input Power (Watts)		463	463	463	463	464	463/463/463	463/463/463/463	
LINE CURRENT LAMP POWER	Nominal Lamp Watts	400	400	400	400	400	400	400	
	Nominal Ballast Factor	100%	100%	100%	100%	100%	100%	100%	
LINE CURRENT LAMP POWER	Operating Current (Amps)	3.70	2.17	1.86	1.63	0.98	4.01/1.73/1.39	3.70/2.17/1.86/1.63	
	Open Circuit Current (Amps)	1.68	1.00	0.85	0.76	0.45	1.59/0.68/0.55	1.68/1.00/0.85/0.76	
Nominal Open Circuit Voltage		190	190	190	190	194	197	190	
A (Inches)		2.28	2.28	2.28	2.28	2.28	2.28	2.28	
B (Inches)		4.21	4.21	4.21	4.21	4.23	4.23	4.21	
CAPACITOR	μF	55	55	55	55	55	55	55	
		Minimum Volts	240	240	240	240	240	240	240
	DRY	Diameter (Inches)	1.80	1.80	1.80	1.80	1.80	1.80	1.80
		Height (Inches)	5.20	5.20	5.20	5.20	4.21	4.21	5.20
	OIL	Oval (Inches)	1.75	1.75	1.75	1.75	1.75	1.75	1.75
		Height (Inches)	3.87	3.87	3.87	3.87	3.87	3.87	3.87
STARTER	Model Number	ST2000	ST2000	ST2000	ST2000	ST2000	ST2000	ST2000	
	Max. Distance to Lamp (ft)	20	20	20	20	20	20	20	
	U.L. Bench Top Rise Code	D	A	B	B	D	C/B/B	D/A/B/B	

BALLAST DIMENSIONS



WIRING DIAGRAM



UL Recognized and
CSA Certified

Add “-K” suffix to model number to order standard distributor replacement kit. Kits include core and coil ballast, capacitor, starter (when required), mounting brackets and hardware, and installation instruction sheet.

**HOWARD
INDUSTRIES, INC.**



**BALLAST
PRODUCTS
DIVISION**

P.O. Box 1590
Laurel, MS 39441
(601) 422-0033 or
1-800-956-3456

Fax (601) 422-1652

<http://www.howard-ballast.com>

<http://www.howard-ballast.com>