

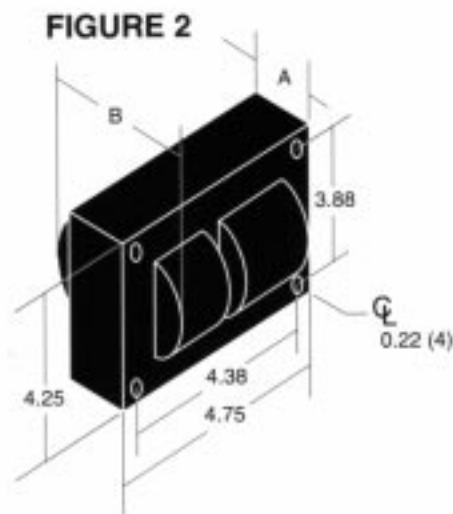
# High Pressure Sodium HID BALLAST

## STANDARD BALLAST SPECIFICATIONS

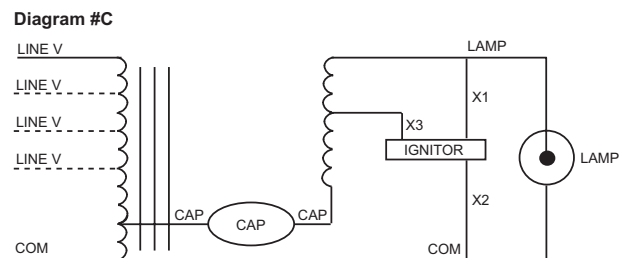
### 250 WATT, S-50

Input Voltage		120	208	240	277	120/208/240/277	
Catalog Number		<b>S0250-02C-211</b>	<b>S0250-04C-211</b>	<b>S0250-07C-211</b>	<b>S0250-08C-211</b>	<b>S0250-71C-211</b>	
Circuit Type		CWA	CWA	CWA	CWA	CWA	
Input Power (Watts)		295	295	295	295	295/295/295/295	
LAMP POWER	Nominal Lamp Watts	250	250	250	250	250	
	Nominal Ballast Factor	100%	100%	100%	100%	100%	
LINE CURRENT	Operating Current (Amps)	2.49	1.43	1.24	1.09	2.49/1.43/1.24/1.09	
	Open Circuit Current (Amps)	1.23	0.70	0.63	0.55	1.23/0.70/0.63/0.55	
Nominal Open Circuit Voltage		183	183	183	183	183	
Dimension A (Inches)		1.80	1.80	1.80	1.80	1.80	
Dimension B (Inches)		3.73	3.73	3.73	3.73	3.73	
CAPACITOR	MFD	35	35	35	35	35	
	Minimum Volts	240	240	240	240	240	
	DRY	Diameter (Inches)	1.80	1.80	1.80	1.80	1.80
		Height (Inches)	4.70	4.70	4.70	4.70	4.70
	OIL	Oval (Inches)	1.75	1.75	1.75	1.75	1.75
		Height (Inches)	3.87	3.87	3.87	3.87	3.87
STARTER	Model Number	ST2000	ST2000	ST2000	ST2000	ST2000	
	Max Distance to Lamp (Feet)	20	20	20	20	20	
U.L. Bench Top Rise Code 1029		A	A	A	A	A/A/A/A	

### BALLAST DIMENSIONS



### WIRING DIAGRAM



Add "-K" suffix to model number to order standard distributor replacement kit. Kits include core and coil ballast, capacitor, starter (when required), mounting brackets and hardware, and installation instruction sheet.



UL Recognized and  
CSA Certified

**HOWARD  
INDUSTRIES, INC.**



**BALLAST  
PRODUCTS  
DIVISION**

P.O. Box 1590  
Laurel, MS 39441  
(601) 422-0033 or  
1-800-956-3456  
Fax (601) 422-1652  
[http://www.  
howard-ballast.com](http://www.howard-ballast.com)