

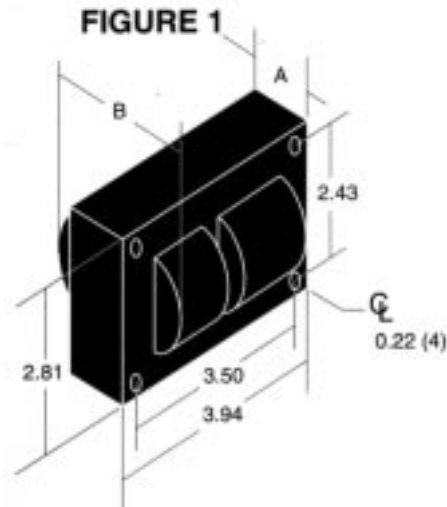
# High Pressure Sodium HID BALLAST

## STANDARD BALLAST SPECIFICATIONS

### 150 WATT, S-54

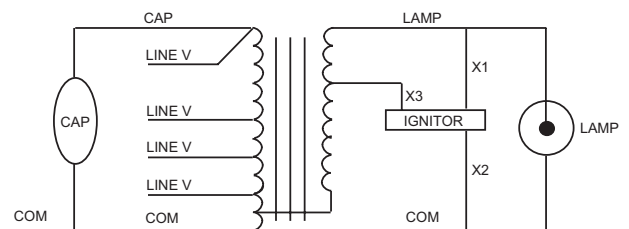
Input Voltage	120	208	240	277	120/277/347	120/208/240/277	
Catalog Number	<b>S0150-02C-211</b>	<b>S0150-04C-211</b>	<b>S0150-07C-211</b>	<b>S0150-08C-211</b>	<b>S0150-59C-511</b>	<b>S0150-71C-211</b>	
Circuit Type	HX-HPF	HX-HPF	HX-HPF	HX-HPF	HX-HPF	HX-HPF	
Input Power (Watts)	185	185	185	185	177/179/183	185/185/185/185	
LAMP POWER	Nominal Lamp Watts	150	150	150	150	150	
	Nominal Ballast Factor	100%	100%	100%	100%	100%	
LINE CURRENT	Operating Current (Amps)	1.58	0.83	0.80	0.69	1.55/0.68/0.55	1.58/0.83/0.80/0.69
	Open Circuit Current (Amps)	3.10	1.68	1.55	1.34	3.05/1.33/1.06	3.10/1.68/1.55/1.34
Nominal Open Circuit Voltage	120	120	120	120	122	120	
Dimension A (Inches)	2.43	2.43	2.43	2.43	2.43	2.43	
Dimension B (Inches)	3.95	3.95	3.95	3.95	3.70	3.95	
CAPACITOR	MFD	14	14	14	14	14	
	Minimum Volts	280	280	280	280	280	
	DRY	Diameter (Inches)	1.60	1.60	1.60	1.60	1.60
		Height (Inches)	2.70	2.70	2.70	2.70	2.70
	OIL	Oval (Inches)	1.25	1.25	1.25	1.25	1.25
		Height (Inches)	2.87	2.87	2.87	2.87	2.87
STARTER	Model Number	ST2001	ST2001	ST2001	ST2001	ST2001	
	Max Distance to Lamp (Feet)	20	20	20	20	20	
U.L. Bench Top Rise Code 1029		B	A	A	B	D/C/B	B/A/A/B

### BALLAST DIMENSIONS



### WIRING DIAGRAM

Diagram #B



Add "-K" suffix to model number to order standard distributor replacement kit. Kits include core and coil ballast, capacitor, starter (when required), mounting brackets and hardware, and installation instruction sheet.



UL Recognized and  
CSA Certified

HOWARD  
INDUSTRIES, INC.



BALLAST  
PRODUCTS  
DIVISION

P.O. Box 1590  
Laurel, MS 39441  
(601) 422-0033 or  
1-800-956-3456  
Fax (601) 422-1652  
<http://www.howard-ballast.com>