

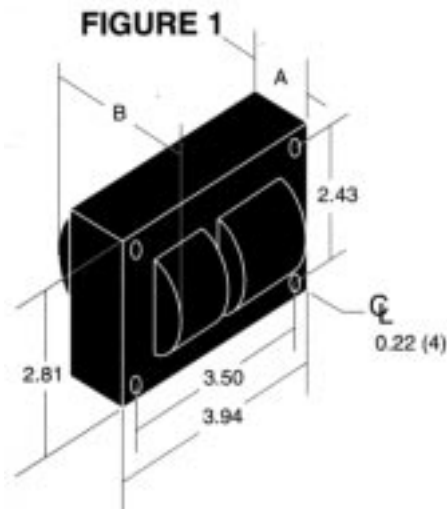
High Pressure Sodium HID BALLAST

STANDARD BALLAST SPECIFICATIONS

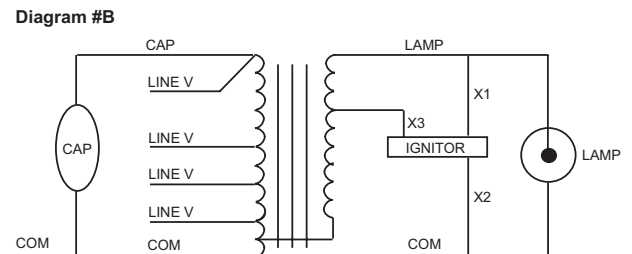
100 WATT, S-54

Input Voltage		120	208	240	277	120/208/240/277	
Catalog Number		S0100-02C-511	S0100-04C-511	S0100-07C-511	S0100-08C-511	S0100-71C-511	
Circuit Type		HX-HPF	HX-HPF	HX-HPF	HX-HPF	HX-HPF	
Input Power (Watts)		127	128	128	129	127/128/128/129	
LAMP POWER	Nominal Lamp Watts	100	100	100	100	100	
	Nominal Ballast Factor	100%	100%	100%	100%	100%	
LINE CURRENT	Operating Current (Amps)	1.08	0.63	0.55	0.48	1.08/0.63/0.55/0.48	
	Open Circuit Current (Amps)	2.25	1.30	1.13	0.98	2.25/1.30/1.13/0.98	
Nominal Open Circuit Voltage		123	123	123	123	123	
Dimension A (Inches)		1.95	1.95	1.95	1.95	1.95	
Dimension B (Inches)		3.31	3.31	3.31	3.31	3.31	
CAPACITOR	MFD	10	10	10	10	10	
	Minimum Volts	280	280	280	280	280	
	DRY	Diameter (Inches)	1.50	1.50	1.50	1.50	1.50
		Height (Inches)	3.23	3.23	3.23	3.23	3.23
	OIL	Oval (Inches)	1.25	1.25	1.25	1.25	1.25
		Height (Inches)	2.50	2.50	2.50	2.50	2.50
STARTER	Model Number	ST2001	ST2001	ST2001	ST2001	ST2001	
	Max Distance to Lamp (Feet)	20	20	20	20	20	
U.L. Bench Top Rise Code 1029		C	B	B	B	C/B/B/B	

BALLAST DIMENSIONS



WIRING DIAGRAM



**HOWARD
INDUSTRIES, INC.**



**BALLAST
PRODUCTS
DIVISION**

P.O. Box 1590
Laurel, MS 39441
(601) 422-0033 or
1-800-956-3456
Fax (601) 422-1652
<http://www.howard-ballast.com>

Add "-K" suffix to model number to order standard distributor replacement kit. Kits include core and coil ballast, capacitor, starter (when required), mounting brackets and hardware, and installation instruction sheet.



**UL Recognized and
CSA Certified**